

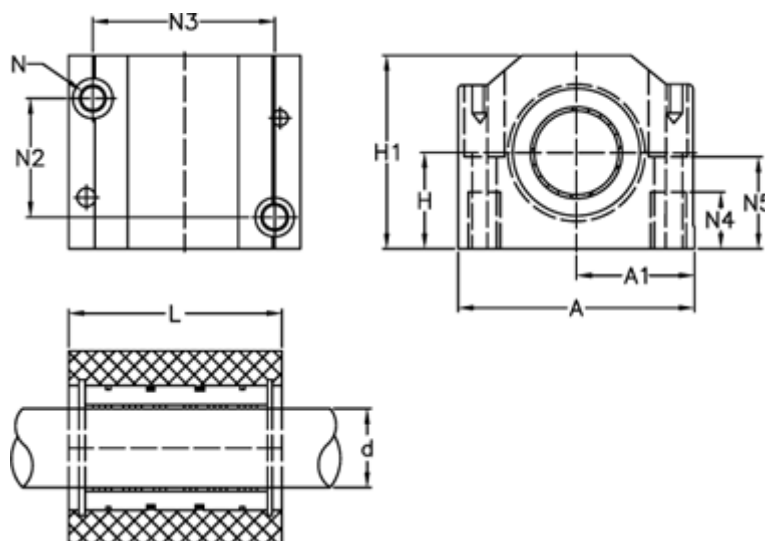
Data Sheet



Article number: 5030008

Description: Closed pillow block PM 08
FM standard bearing included

Measures



A = 35

A1 = 17.5

H = 15

H1 = 28

L = 32

N = M4 x 0,7

N2 = 20.149999999999999

N3 = 25.15

N4 = 9

N5 = 14.5

Weight (kg) = 0.069